

IMPORTANT INFORMATION

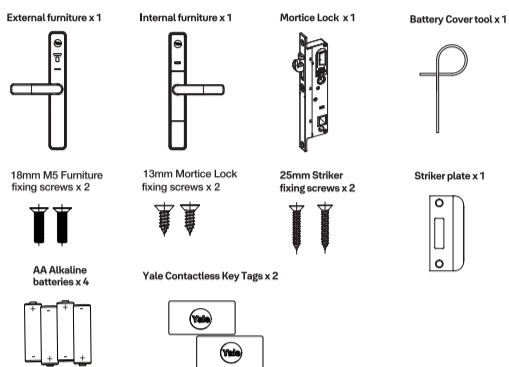
1. Prior to installation, scan the QR code below to check the compatibility chart.



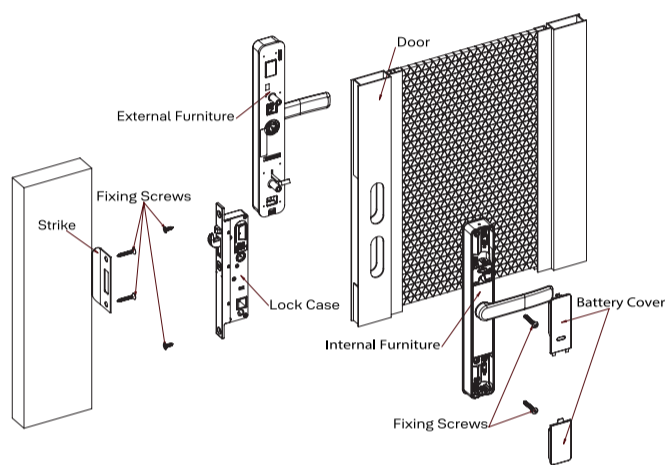
2. Scan the below for information and guide on using the Yale Access App and your lock.



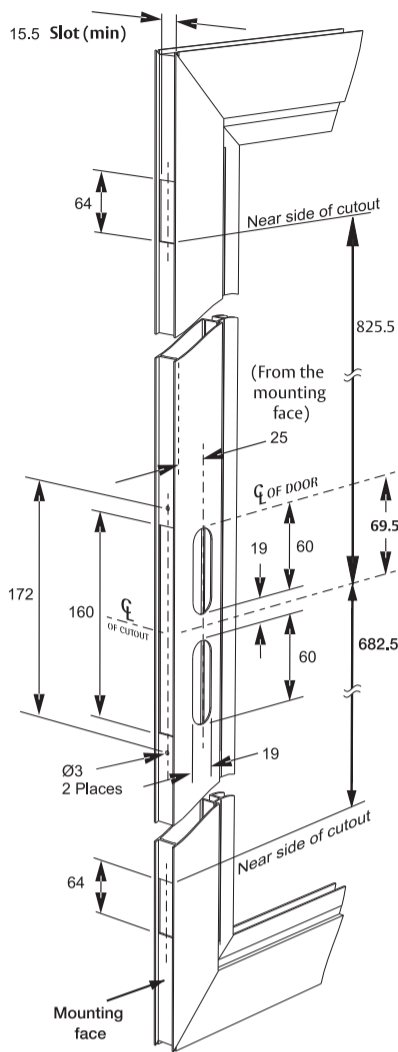
COMPONENTS



EXPLODED VIEW

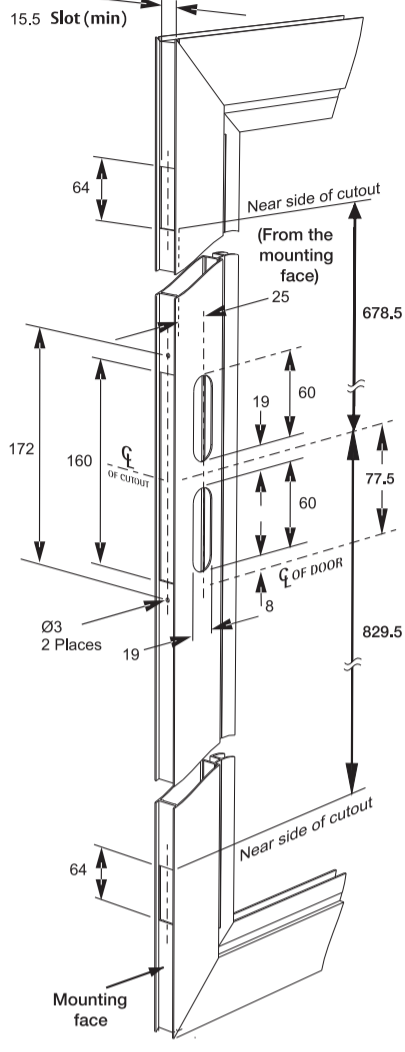


MOUNTING HANDLE BELOW THE CENTRE LINE



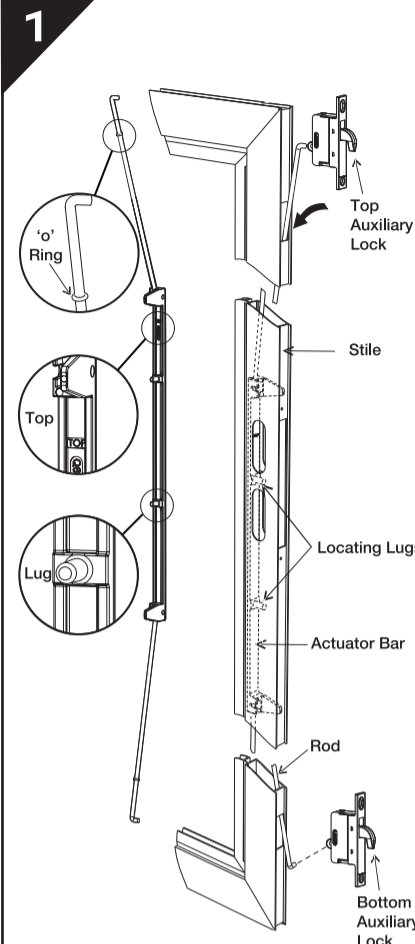
Both sides of the door section must be cut to the dimensions given. Start with the centre of door (CL OF DOOR) then measure 69.5mm BELOW and mark the (CL OF CUTOUT).

MOUNTING HANDLE ABOVE THE CENTRE LINE



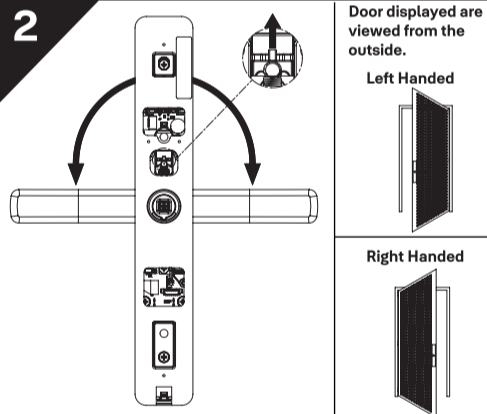
Both sides of the door section must be cut to the dimensions given. Start with the centre of door (CL OF DOOR) then measure 77.5mm ABOVE and mark the (CL OF CUTOUT).

FITTING THE ACTUATOR BAR & AUXILIARY LOCKS



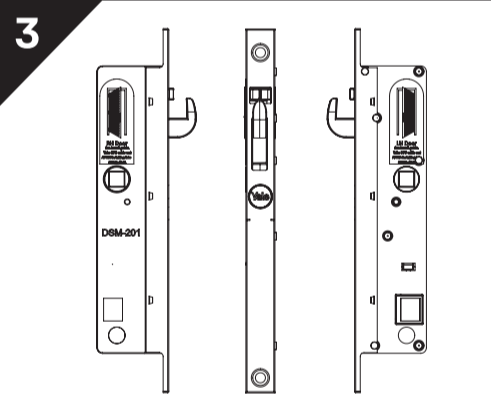
This step is for 3 point locking assemblies. If you have a single point locking assembly, start from step 2.
Note: For ease of fitment remove the door from the frame. Assemble the actuating Bar Rods as shown prior too fitting to the door stile. With the "TOP" mark facing the front. Keep the locating lugs of the actuating bar facing the front edge of the door. Insert the actuator bar and rod assembly through the top cut-out and slide it through the door stile. With the Auxiliary locks in the locked position (as shown).
IMPORTANT: Connect the top auxiliary lock first to the end of the rod followed by the bottom auxiliary lock. Push them then into the door stile.

HANDING THE LOCK



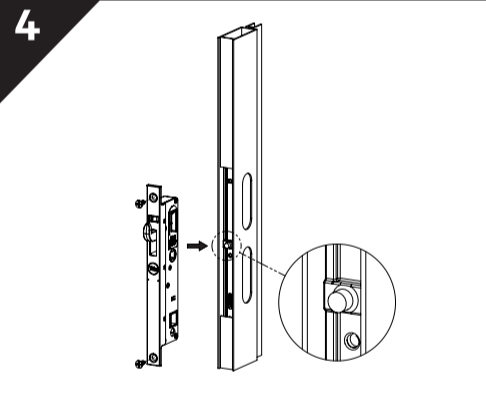
Before handing the lock determine the door opening. To hand the lock rotate the lever to the side required.
 If handed incorrectly, lift up the spring as shown and rotate the handle.

PREPARING THE MORTICE LOCK



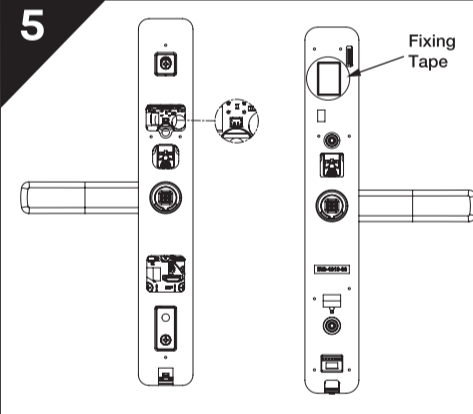
Taking the mortice lock, note the two handing stickers at the top. If your door is left handed, then the left handed label will need to be facing the inside of the door. The same applies for the right. Determine this before moving to the next step.

INSTALLING THE CENTRAL MORTICE LOCK



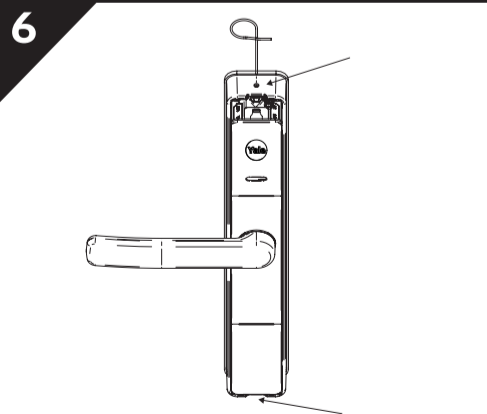
Taking the mortice lock, insert into the stile. Locate and engage the lug on the actuating bar with the lock, then secure with the two mortice lock fixing screws.
IMPORTANT: Ensure you keep the door open for the installation of the lock. Taking the mortice lock, insert the mortice lock into the stile. If you are installing to an existing 3pt kit, locate and engage the lug on the actuating bar with the lock. Use the two mortice lock fixing screws to secure into place.

PREPARE THE LOCK



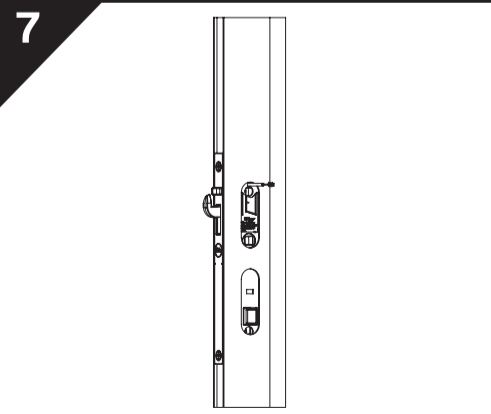
Taking the internal furniture, remove the Yellow plug on the inside escutcheon. Remove the fixing tape from the external furniture.

REMOVE THE BATTERY COVERS



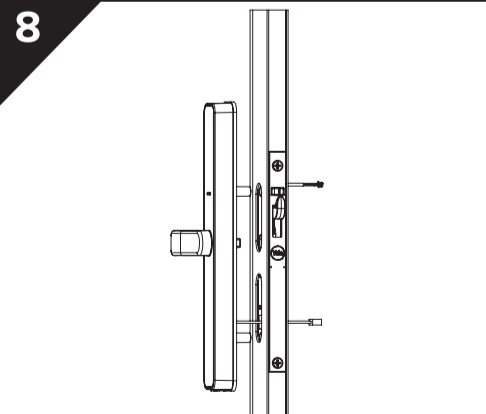
Take the battery cover tool and remove the battery covers from the top and bottom of the internal furniture, by placing the point of the tool into the holes located at the top and bottom of the furniture.

REMOVE THE DPS CABLE FROM THE MORTICE



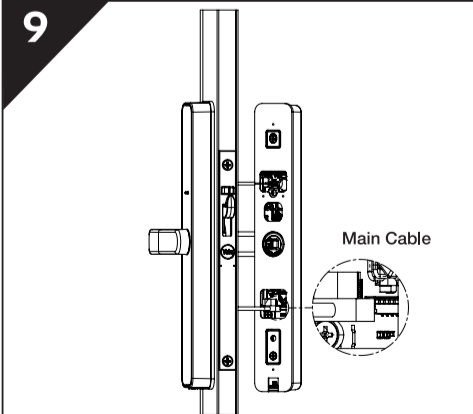
Once your lock is prepared, on the internal side of the lock, use the battery cover tool to pierce a hole through the handed stickers on the mortice. Locating the cable behind the sticker, use the battery cover tool to feed the Door Position Sensor (DPS) cable out to the inside of the door. There will be a white connector at the end of the cable identifying the end of the cable.

FIT THE EXTERNAL FURNITURE



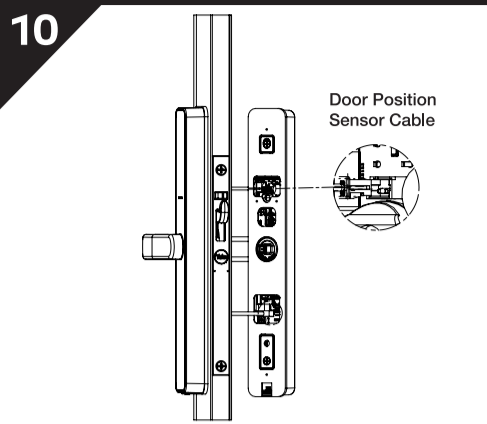
Taking the external furniture, take the main cable and feed this through the square hole at the bottom of the mortice and fit the furniture into place.
 The fixing sticker will help hold the furniture to the door. Push the top fixing post through the handing sticker on the mortice lock.

CONNECT THE MAIN CABLE



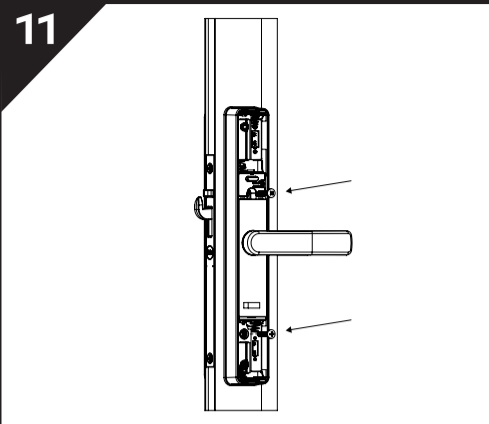
Taking the internal furniture, take the main cable from the inside and connect this to the main power housing at the bottom of the internal furniture.

CONNECT THE DPS CABLE



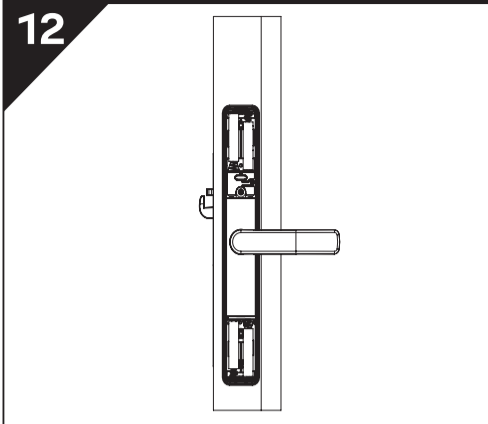
Taking the DPS cable, notice the mark on the white connector to indicate the top. With the top facing upwards, connect this into the DPS housing located at the top of the internal furniture. Once connected, just above the connection point is a hook to secure the remaining DPS cable into.

FIT THE FURNITURE TO THE DOOR



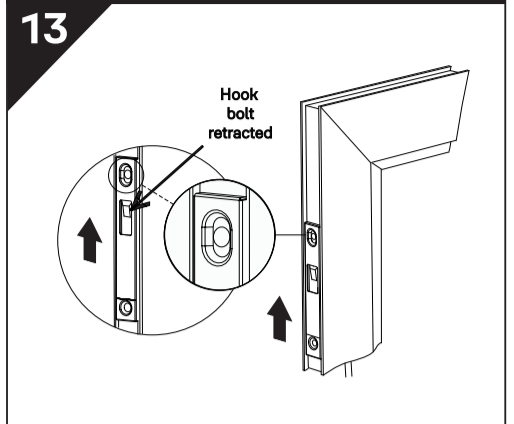
Taking care not to pinch the cables, fit the internal furniture to the door. Taking the two M5 furniture fixing screws, fix the lock furniture together. Note: Take care not to damage the DPS cable when fitting the furniture. IMPORTANT: Do not close the door prior to installing the batteries.

INSTALLING THE BATTERIES



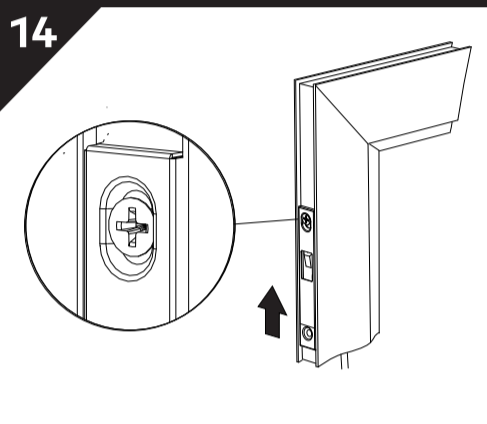
Install the 4 x AA batteries, 2 on the top and 2 at the bottom of the internal furniture. Once the batteries are installed, test the interior lever retracts the mortice hook bolt.

DRILLING THE AUXILIARY LOCKS INTO PLACE



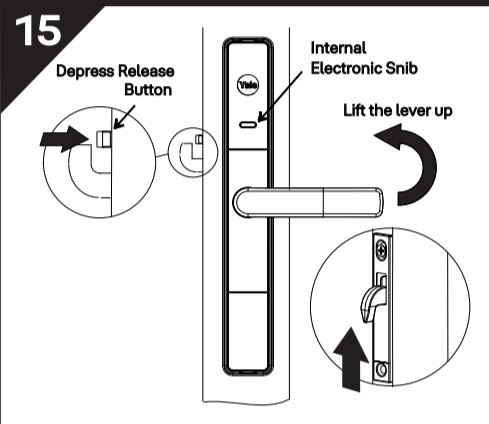
If you are not installing a 3 point locking kit, skip to step 16. Gently push the top auxiliary lock upwards to retract the hook bolt. Drill a 3mm hole in the centre of the slotted hole. Repeat this for the bottom auxiliary lock.

FIXING THE TOP SCREW OF AUXILIARY LOCKS



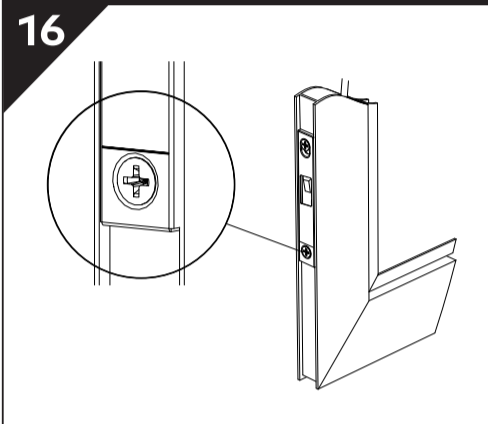
Gently push the top auxiliary lock upwards to retract the hook bolt. Lightly fix the fixing screw to the top slotted hole. Repeat this for the bottom auxiliary lock.

CHECK THE AUXILIARY BOLTS



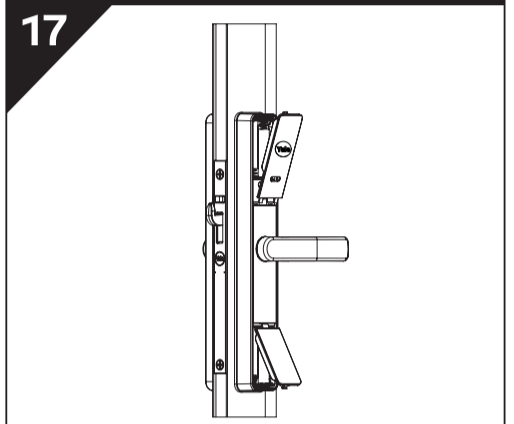
Press the internal electronic snib so that it flashes orange. Lift the internal lever to throw the auxiliary hook bolts. The release button above the hook bolt must be depressed. Push the hook bolts upwards to check they are locked. If the auxiliary hook bolts do not throw correctly, adjust the bolt up or down to suit.

FIXING THE BOTTOM SCREW OF AUXILIARY LOCKS



Once correct, secure the top and bottom auxiliary locks by drilling a 3mm hole through the bottom hole of the auxiliary locks, and secure with the fixing screws.

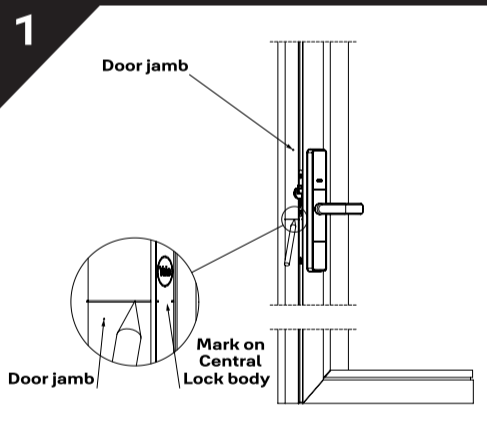
COMPLETE THE LOCK INSTALLATION



Replace the battery covers once complete. Your lock will power up, ready to connect to your phone. For lock setup, please refer to the Yale Access Quickstart Guide.

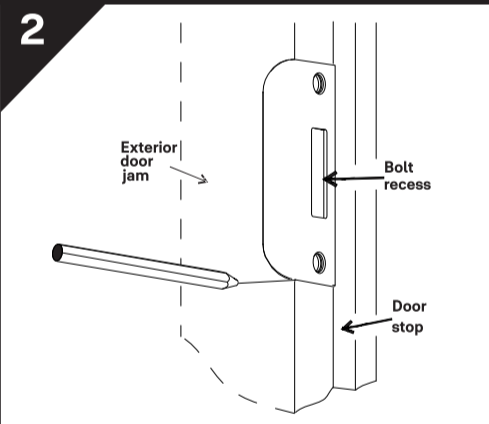
CENTRAL STRIKE INSTALLATION (STANDARD 19mm DOOR)

MARKING THE CENTRAL STRIKE POSITION



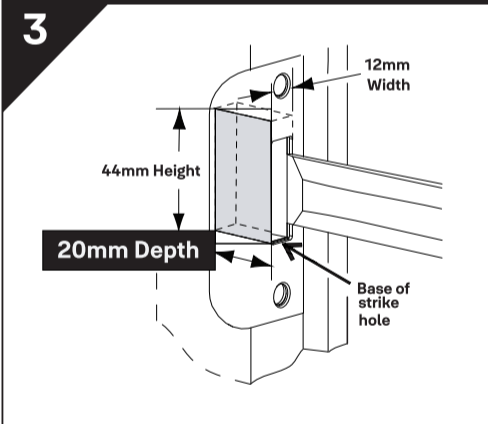
Hold the door against the jamb and mark a line level with the two lines located under the Yale logo of the central mortice lock.

MARK BOLT AND SCREW HOLES



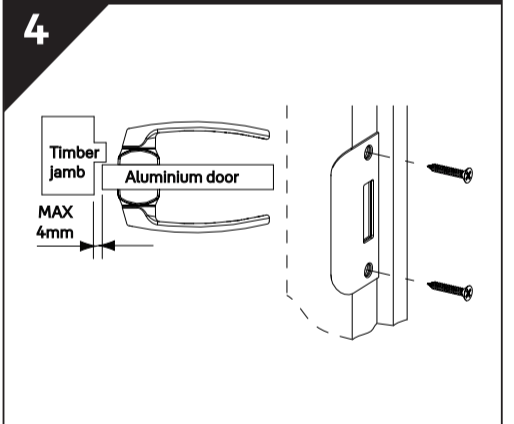
Align the bottom of the strike with the mark just made on the door jamb. Hold the strike against the door stop and mark the bolt recess and screw hole positions.

CHISEL THE BOLT RECESS



For timber door jambs chisel out the bolt recess and ensure it is at least 20mm deep and 44mm high from the base of the strike hole.

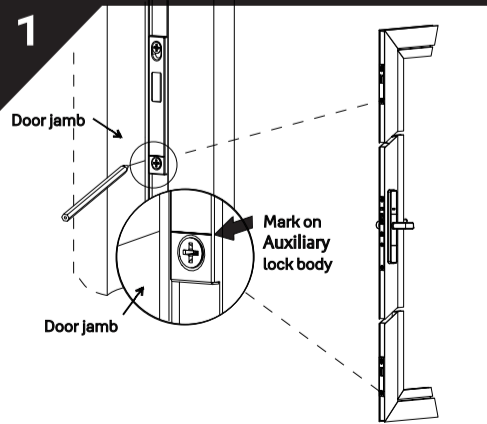
FIX THE STRIKE



Secure the central strike with the 25mm strike fixing screws. The maximum clearance between door and jamb should not exceed 4mm.

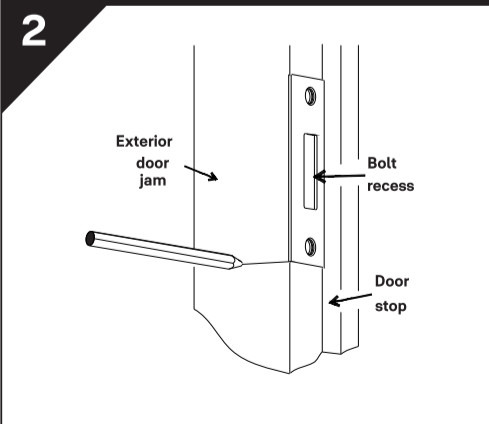
AUXILIARY STRIKE FOR 3PT LOCKING INSTALLATIONS (STANDARD 19mm DOOR)

MARKING THE AUXILIARY STRIKE POSITION



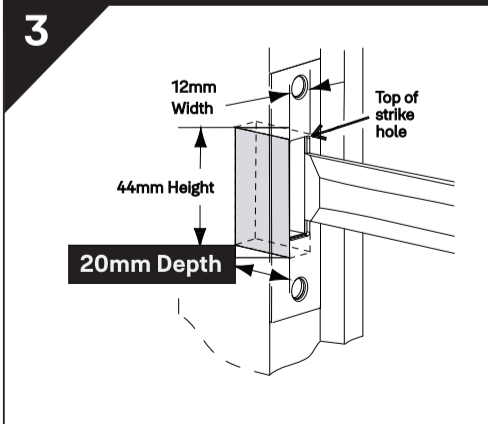
Hold the door against the jamb and mark the jamb level with the mark on the front of each auxiliary lock body.

MARK BOLT AND SCREW HOLES



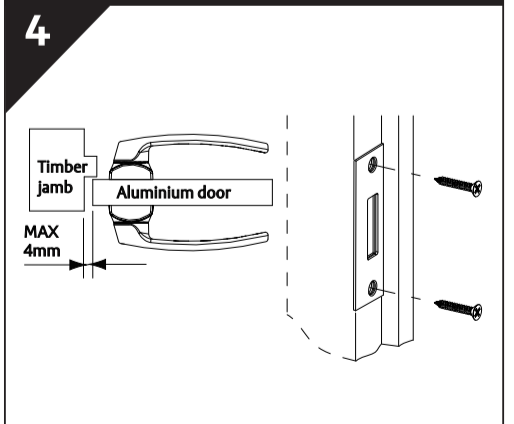
Align the bottom of the auxiliary strike with the mark just made on the door jamb. Hold the strike against the door stop and mark the bolt recess and screw hole positions.

CHISEL THE BOLT RECESS



For timber door jambs chisel out the bolt recess and ensure it is at least 20mm deep and 44mm high from the top of the strike hole.

FIX THE STRIKE



Secure the auxiliary strike with the 25mm strike fixing screws. The maximum clearance between door and jamb should not exceed 4mm. Once complete, close the door and repeat step 14 to check all the auxiliary bolts fit into place with the strikes. Make any adjustments if necessary.